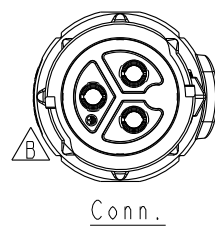
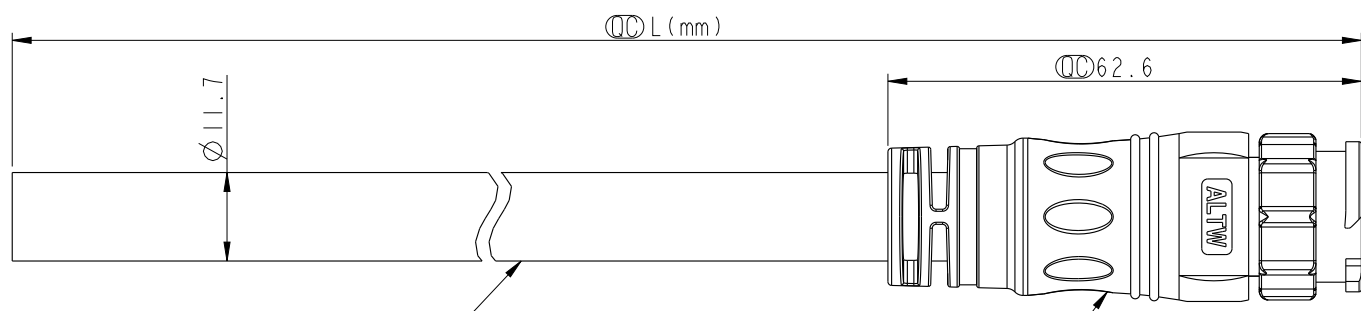


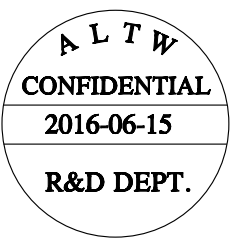
THIS DOCUMENT IS SUBJECT TO CHANGE WITHOUT NOTICE. IT IS CONFIDENTIAL AND A PROPERTY OF Amphenol LTW. DISCLOSURE TO THIRD PARTY HAS TO BE AUTHORIZED BY Amphenol LTW.

REV.	ECN NO.	DATE	SIGN	DESCRIPTION
B	LEN1650708-09	2016-04-16	Spring	update the drawing
C	LE31670041	2016-06-15	Tom Gu	Change Part No. of Half Finished



Conn.

△ CC-03AMFM-QL8W0P ①  
Color: Black

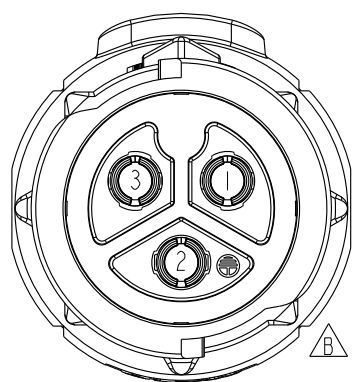


CC-03AMFM-QL8EXX

- XX : 01~99Meters
- 01 : 01Meter
- 02 : 02Meters
- :
- :
- 99 : 99Meters

Note:

- \* Ⓞ Important Dimension To Check.
- \* Working Voltage Rating: AC 300V
- \* Working Current Rating: 20A
- \* Waterproof Rate: IP68(Mated)  
in 1 meter water within 24 hours
- \* Housing: Nylon+GF, Black
- \* Pin: Copper Alloy, Gold & Ni Plated
- \* Cable: SJTW 12AWG\*3C, Black  
PVC Jacket, OD=11.7mm.
- \* Cable Length Tolerance: 01M:±40mm  
02M~05M:±60mm  
06M~10M:±100mm  
11M~30M:±200mm  
31M~99M:±500mm



Pin Assignments  
Front View

3	White	白
2	Green	綠
1	Black	黑
Conn.	Wire Color	
	Pin Out	

UNIT:mm		
TOLERANCE	±0.5	

TITLE X Lok C-Size Cable 3 Pin 20A M Conn. F Pin			
SCALE	SIZE	SHEET	OF
1:1	A4	1	1
REV.	WC-REV.	Ⓞ: Inspection item	
C	A.1		

**Amphenol LTW**  
安費諾亮泰企業股份有限公司

ITEM NO	DRAWN BY	DATE
	Tom Gu	2016-06-15
DWG NO	CHECKED BY	DATE
CC-03AMFM-QL8EXX	Spring Liu	2016-06-15
CUSTOMER	APPROVED BY	DATE
ALTW	Kevin Hu	2016-06-15